

FIXTURE SPECIFICATIONS

INTENDED USE

The specification grade Alcon Lighting Theo Architectural LED Post Top Light Fixture is designed to work in building perimeter areas and public spaces to compliment a wide variety of architectural styles. LED Area Lights provide high light efficiency with varying light distributions. Outdoor Post Lights create a nostalgic atmosphere and are best applied in parking lots, plazas, shopping malls, gardens, roadways, and areas with pedestrian activity.

FEATURES

Construction: Prism Shaped Anti-UV Polycarbonate Transparent Diffuser. Die Cast Aluminum Housing. Die Cast Aluminum Sleeve, 2-3/8" (60mm) or 3" (76mm) Diameter Pole. 3" Pole is Standard.

Pole Not Included, Supplied by Others.

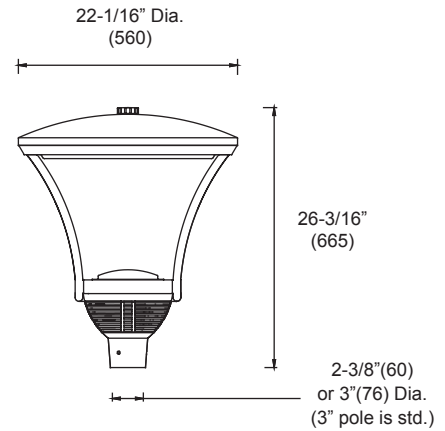
Voltage: 120-277V is Standard

CRI: >70

Beam Spread: 120° Distribution

Warranty: 5 Years Carefree for Parts & Components (Labor Not Included)

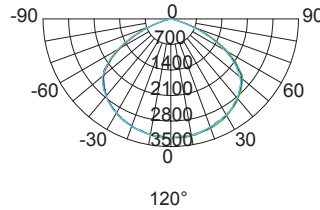
Listing: cETLus Listed, DLC Listed, LM79, LM80 Available. Suitable for Wet Locations.



* All dimensions are in inches (millimeters).

CONFIGURATIONS

	Input Watts	Lumen Output
11406	30W	2970 lm
	45W	4275 lm
	60W	5580 lm
11406-L	70W	6930 lm
	100W	9900 lm
	120W	11880 lm



11406

11406-L



ORDERING INFORMATION Example: (11406-30W-30K-UNV-BK-P-D10)

Model	Wattage Lumens	Color Temp	Voltage	Finish	Mounting
11406	30W 30 Watts 2970 Lumens	30K 3000K	UNV 120-127V <small>Standard</small>	BK Black	3P 3" Pole <small>Standard</small>
	45W 45 Watts 4275 Lumens		HV 347-480V	BZ Bronze	2P 2-3/8" Pole
	60W 60 Watts 5580 Lumens			SL Silver	W Wall Mounting for 3" Pole
			40K 4000K 50K 5000K		

Model	Wattage Lumens
11406-L	70W 70 Watts 6930 Lumens
	100W 100 Watts 9900 Lumens
	120W 120 Watts 11880 Lumens

Options

D10	0-10V Dimming
PC3	Photocell - Button Type
MD	Motion/Daylight Sensor (Hi/ Low/ Off)
BG	Bird Guard, Stainless Steel Spikes